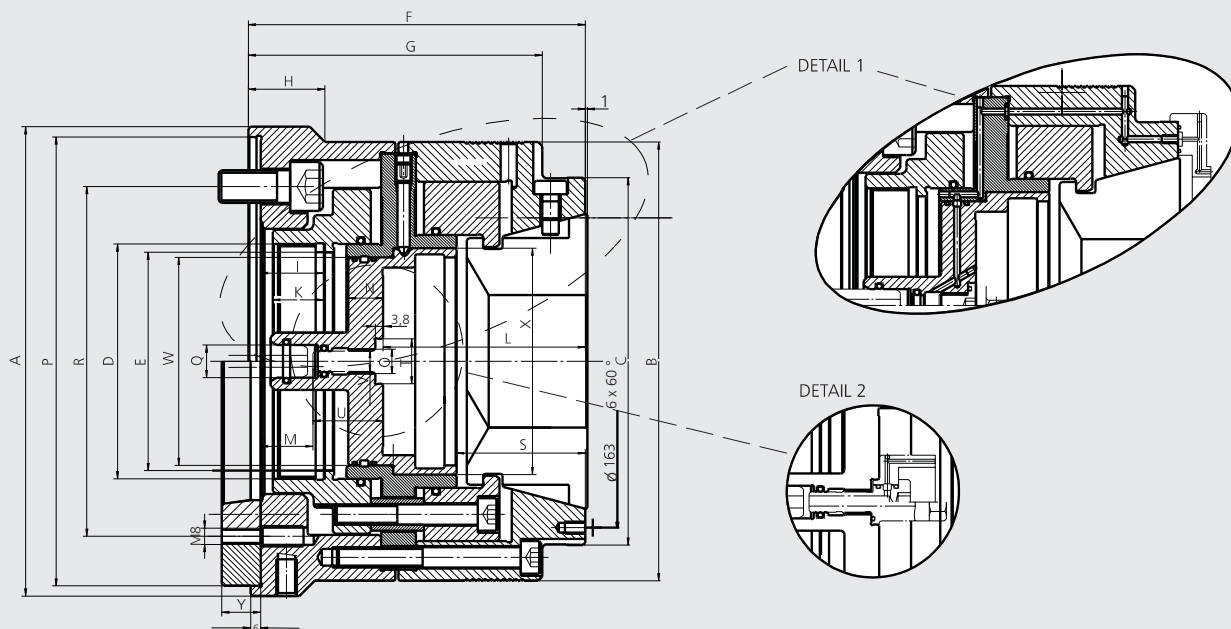


# KSZ-AZL

## Draw collet chuck for bar and shaft machining/ including preparation for air sensing

Draw collet chucks

Chuck in open position



Subject to technical changes

SMW-AUTOBLOK Type		KSZ-AZL 100											
Mounting		Z170			Z220			A6			A8		
Id.No.		194741			195244			194783			195245		
	<b>A</b>	215			230			215			230		
	<b>B</b>	-			215			-			215		
	<b>C</b>	180			180			180			180		
	<b>D</b>	M95 x 2			M115x2			M95x2			M115x2		
	<b>E</b>	87			107			87			107		
	<b>F</b>	165			165			176			178		
	<b>G</b>	144			144			155			157		
	<b>H</b>	-			37			-			37		
	<b>I</b>	-			-			53			55		
	<b>I<sub>1</sub></b>	36			36								
	<b>K</b>	25			25			25			25		
	<b>L</b>	99			99			99			99		
	<b>M</b>	25			25			25			25		
	<b>N</b>	17			17			17			17		
	<b>O</b>	M12			M12			M12			M12		
	<b>P H6</b>	170			220								
	<b>R</b>	133.4	6x60°	M12	171.4	6x60°	M16	133.4	6x60°	M12	171.4	6x60°	M16
	<b>S</b>	63			63			63			63		
	<b>T</b>	22			22			22			22		
	<b>U</b>	34.3			34.3			34.3			34.3		
	<b>V</b>	M12			M12			M12			M12		
	<b>W</b>	87			107			87			107		
	<b>X</b>	111			111			111			111		
	<b>Y</b>	-			-			17			19		
max. speed	r.p.m.	5000			5000			5000			5000		
max. actuating force	daN	6500			6500			6500			6500		
max. gripping force	daN	8500			8500			8500			8500		
Mass without collets	kg	33			35			34			36		
<b>rec. actuating cylinder</b>	Type	VNK 200-86			VNK 225-95 / VNK 320-127			VNK 200-86			VNK 225-95 / VNK 320-127		
Speed	r.p.m.	4500			4000 / 3200			4500			4000 / 3200		

Supply range: Chuck and mounting bolts



Spindle mounting	Size	KSZ-AZL 100
Z 170		194741
A 06		194783
Z 220		195244
A 08		195245

Changing unit



Accessories	Size	KSZ-AZL 100
pneumatic		194744

## Collets for KSZ-AZL

Steel collets with axial and radial grooves

**ROUND**

Ø	<b>40</b>	<b>41</b>	<b>42</b>	<b>43</b>	<b>44</b>	<b>45</b>	<b>46</b>	<b>47</b>	<b>48</b>	<b>49</b>	<b>50</b>	<b>51</b>	<b>52</b>
Id. No.	195076	195080	195081	195082	195083	195084	195085	195086	195087	195088	195089	195090	195091
Ø	<b>53</b>	<b>54</b>	<b>55</b>	<b>56</b>	<b>57</b>	<b>58</b>	<b>59</b>	<b>60</b>	<b>61</b>	<b>62</b>	<b>63</b>	<b>64</b>	<b>65</b>
Id. No.	195092	195093	195094	195095	195096	195097	195098	195099	195100	195101	195102	195103	195104
Ø	<b>66</b>	<b>67</b>	<b>68</b>	<b>69</b>	<b>70</b>	<b>71</b>	<b>72</b>	<b>73</b>	<b>74</b>	<b>75</b>	<b>76</b>	<b>77</b>	<b>78</b>
Id. No.	195105	195106	195107	195108	195109	195110	195111	195112	195113	195114	195115	195116	195117
Ø	<b>79</b>	<b>80</b>	<b>81</b>	<b>82</b>	<b>83</b>	<b>84</b>	<b>85</b>	<b>86</b>	<b>87</b>	<b>88</b>	<b>89</b>	<b>90</b>	<b>91</b>
Id.No.	195118	195119	195120	195121	195122	195123	195124	195125	195126	195127	195128	195129	195130
Ø	<b>92</b>	<b>93</b>	<b>94</b>	<b>95</b>	<b>96</b>	<b>97</b>	<b>98</b>	<b>99</b>	<b>100</b>				
Id.No.	195131	195132	195133	195134	195135	195136	195137	195138	194742				

Steel collets with smooth clamping surface

**ROUND**

Ø	<b>40</b>	<b>41</b>	<b>42</b>	<b>43</b>	<b>44</b>	<b>45</b>	<b>46</b>	<b>47</b>	<b>48</b>	<b>49</b>	<b>50</b>	<b>51</b>	<b>52</b>
Id. No.	195139	195140	195141	195142	195143	195144	195145	195146	195147	195148	195149	195150	195151
Ø	<b>53</b>	<b>54</b>	<b>55</b>	<b>56</b>	<b>57</b>	<b>58</b>	<b>59</b>	<b>60</b>	<b>61</b>	<b>62</b>	<b>63</b>	<b>64</b>	<b>65</b>
Id. No.	195152	195153	195154	195155	195156	195157	195158	195159	195160	195161	195162	195163	195164
Ø	<b>66</b>	<b>67</b>	<b>68</b>	<b>69</b>	<b>70</b>	<b>71</b>	<b>72</b>	<b>73</b>	<b>74</b>	<b>75</b>	<b>76</b>	<b>77</b>	<b>78</b>
Id. No.	195165	195166	195167	195168	195169	195170	195171	195172	195173	195174	195175	195176	195177
Ø	<b>79</b>	<b>80</b>	<b>81</b>	<b>82</b>	<b>83</b>	<b>84</b>	<b>85</b>	<b>86</b>	<b>87</b>	<b>88</b>	<b>89</b>	<b>90</b>	<b>91</b>
Id.No.	195178	195179	195180	195181	195182	195183	195184	195185	195186	195187	195188	194743	195189
Ø	<b>92</b>	<b>93</b>	<b>94</b>	<b>95</b>	<b>96</b>	<b>97</b>	<b>98</b>	<b>99</b>	<b>100</b>				
Id.No.	195190	195191	195192	195193	195194	195195	195196	195197	195198				

