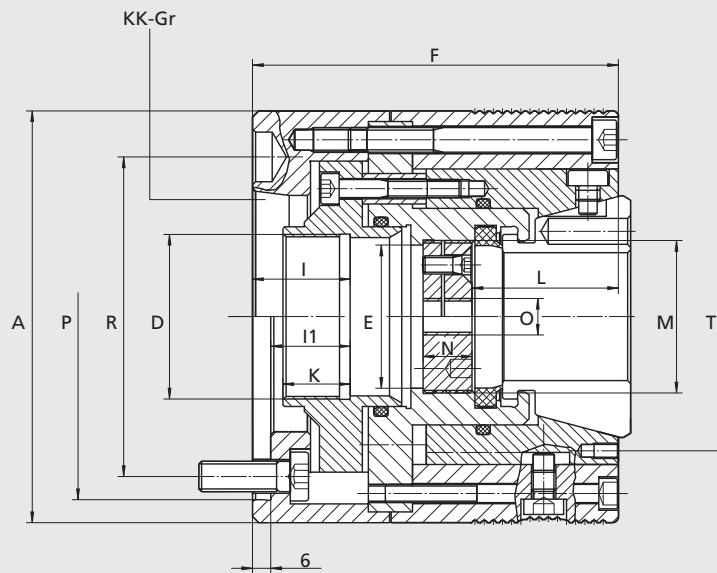


# Draw collet chuck for bar and shaft machining

# KSZ-NZ

Draw collet chucks

Chuck in open position



Subject to technical changes

**NEW**

SMW-AUTOBLOK Type		KSZ-NZ 42		KSZ-NZ 65	
Mounting		Z 120	A5	Z 170	A6
Id.No.	<b>A</b>	135	135	185	160
	<b>D</b>	M54 x 1.5	M54 x 1.5	M78 x 1.5	M78 x 1.5
	<b>E</b>	47	47	67	67
	<b>F</b>	120	120	118	120
	<b>I</b>	-	29	-	32
	<b>I<sub>1</sub></b>	23	-	24	-
	<b>K</b>	22	22	17.5	17
	<b>L</b>	51	51	57.5	57.5
	<b>M</b>	M50 x 1.5	M50 x 1.5	M72 x 1.5	M72 x 1.5
	<b>N</b>	16	16	16	16
	<b>O</b>	M12	M12	M12	M12
	<b>P H6</b>	120	-	170	-
	<b>R</b>	104.8 4x90° M10	104.8 4x90° M10	133.4 6x60° M12	133.4 4x90° M12
	<b>T</b>	88.0 3x120° M5	88.0 3x120° M5	110.0 3x120° M5	110.0 3x120° M5
max. speed	r.p.m.	7000	7000	6000	6000
max. actuating force	daN	3500	3500	4500	4500
max. gripping force	daN	8000	8000	10500	10500
Mass without collets	kg	8.5	8.1	16.8	17.2
rec. actuating cylinders	Type	<b>VNK 102-46</b>	<b>VNK 102-46</b>	<b>VNK 150-67</b>	<b>VNK 150-67</b>
Speed	r.p.m.	8000	8000	5500	5500

## Ordering review

Supply range: Chuck and mounting bolts



Spindle mounting	Size	KSZ-NZ 42	KSZ-NZ 65
Z 120		194281	-
A 05		194280	-
A 06		-	194283

## Changing unit



Accessories	Size	KSZ-NZ 42	KSZ-NZ 65
manual		192150	192152
pneumatic		192151	192153

